



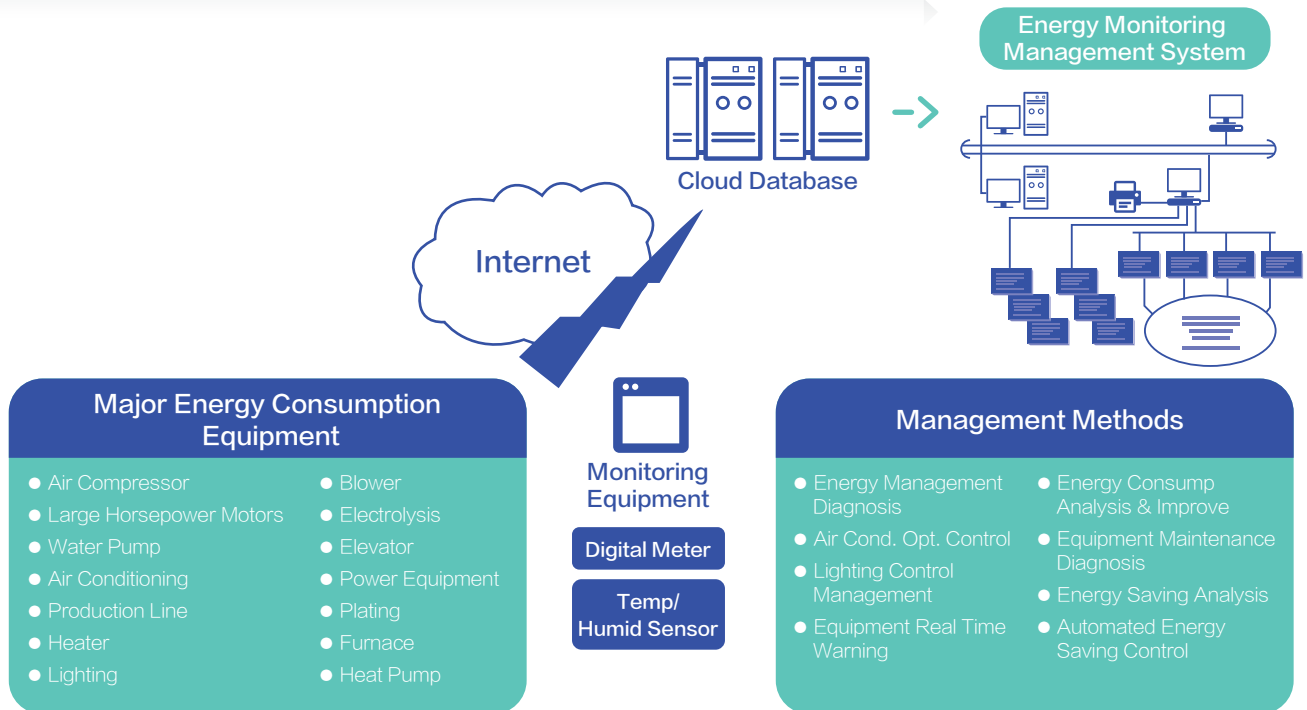
SUN-U P.Q.C.S.
ENERGY TECHNOLOGY CO., LTD.

Power Quality Monitoring and Management System



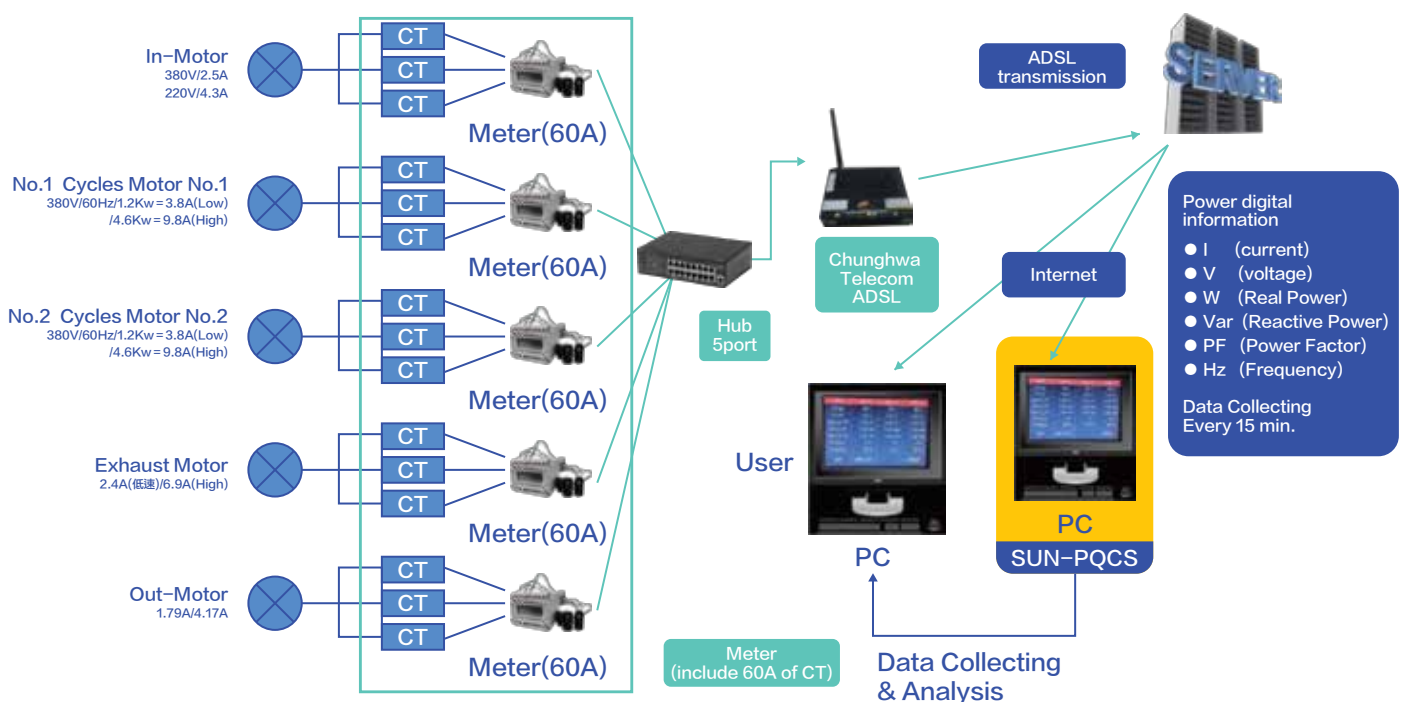
Power Quality Monitoring and Management System

Power Monitoring Management System Structure



Sun-U P.Q.C.S. Power Quality Monitoring & Management System Structure

Sun-U P.Q.C.S. – Cloud Power Quality Monitoring Management



🔌 Sun-U Power Quality Monitoring System Purpose

- ✔ Real-time power data indication
- ✔ Discover power equipment hidden abnormality and elaborate improvement strategy.
- ✔ Adjust power consumption (over capacity, over heat, or over power).
- ✔ Apply widely, including power, air conditioning, fan motor, and engine room environment detection, effectively detect and monitor equipment, prolong equipment life, indicate power consumption factor, reduce unnecessary power loss, elaborate best operation strategy based on power data collected, avoid fine due to over capacity, adjust equipment usage order, reduce electricity bill been paid.
- ✔ In control of power supply and equipment power quality (harmonics, unbalance, and voltage dips, swells, and interruption)

🔌 Why Choose Sun-U? Advantages

- ✔ Save \$\$\$ on initial implementation costs.
- ✔ Obtain professional power usage diagnosis information.
- ✔ Minimum fixed costs very month been paid.

Power usage statistics report

日期	用电量 (kWh)	状态
2011-07-01	354.4219	正常
2011-07-02	327.9599	正常
2011-07-03	405.7264	正常
2011-07-04	492.7185	正常
2011-07-05	421.2875	正常
2011-07-06	351.7889	正常
2011-07-07	314.4584	正常
2011-07-08	441.335	正常
2011-07-09	484.3	正常
2011-07-10	441.0312	正常
2011-07-11	464.4275	正常
2011-07-12	374.4996	正常
2011-07-13	324.4584	正常
2011-07-14	374.4588	正常

Power usage saving report

日期	用电量 (kWh)	节省用电量 (kWh)	节省量 (kWh)	节省率 (%)
AT60	3487.7	466	2368	68%

日期	用电量 (kWh)	节省用电量 (kWh)	节省量 (kWh)	节省率 (%)
2011-07-01 (FRI)	315.58	1	314.57	-0.69
2011-07-02 (SAT)	260.03	2	318.06	4
2011-07-03 (SUN)	140.23	3	447.55	0
2011-07-04 (MON)	1138.55	2001.3	96	-84.85
2011-07-05 (TUE)	311.02	2183.44	402.45	129.38
2011-07-06 (WED)	440.26	3104	64	-14.32
2011-07-07 (THU)	406.34	4015.05	521.88	128.74
2011-07-08 (FRI)	406.3	18	4098	1002.66
2011-07-09 (SAT)	3407.7			

Equipment abnormal report

设备ID	设备名称	设备状态	设备位置	报警时间
2011-07-01-01	1号变频器	正常	1号车间	2011-07-01
2011-07-01-02	2号变频器	正常	2号车间	2011-07-01
2011-07-01-03	3号变频器	正常	3号车间	2011-07-01
2011-07-01-04	4号变频器	正常	4号车间	2011-07-01
2011-07-01-05	5号变频器	正常	5号车间	2011-07-01
2011-07-01-06	6号变频器	正常	6号车间	2011-07-01
2011-07-01-07	7号变频器	正常	7号车间	2011-07-01
2011-07-01-08	8号变频器	正常	8号车间	2011-07-01
2011-07-01-09	9号变频器	正常	9号车间	2011-07-01
2011-07-01-10	10号变频器	正常	10号车间	2011-07-01
2011-07-01-11	11号变频器	正常	11号车间	2011-07-01
2011-07-01-12	12号变频器	正常	12号车间	2011-07-01
2011-07-01-13	13号变频器	正常	13号车间	2011-07-01
2011-07-01-14	14号变频器	正常	14号车间	2011-07-01
2011-07-01-15	15号变频器	正常	15号车间	2011-07-01

Equipment abnormality warning management

设备ID	设备名称	设备状态	设备位置	报警时间
2011-07-01-01	1号变频器	正常	1号车间	2011-07-01
2011-07-01-02	2号变频器	正常	2号车间	2011-07-01
2011-07-01-03	3号变频器	正常	3号车间	2011-07-01
2011-07-01-04	4号变频器	正常	4号车间	2011-07-01
2011-07-01-05	5号变频器	正常	5号车间	2011-07-01
2011-07-01-06	6号变频器	正常	6号车间	2011-07-01
2011-07-01-07	7号变频器	正常	7号车间	2011-07-01
2011-07-01-08	8号变频器	正常	8号车间	2011-07-01
2011-07-01-09	9号变频器	正常	9号车间	2011-07-01
2011-07-01-10	10号变频器	正常	10号车间	2011-07-01
2011-07-01-11	11号变频器	正常	11号车间	2011-07-01
2011-07-01-12	12号变频器	正常	12号车间	2011-07-01
2011-07-01-13	13号变频器	正常	13号车间	2011-07-01
2011-07-01-14	14号变频器	正常	14号车间	2011-07-01
2011-07-01-15	15号变频器	正常	15号车间	2011-07-01

Professional analysis and diagnosis



Power Quality Monitoring and Management System

⏻ P.Q.C.S. and Entire Factory Circuit Monitoring System Diagram

The First Phase

Entire Factory **Power Quality Control System**

- Monitoring high and low voltage circuit data and records(V, I, KW, Var, KVA, Kwh, pf, Hz, and harmonica current etc.)
- Web-base Monitoring and search (website + software)
- Data/Chart viewing (real-time + history)
- Provide comparable data between electrical company and P.Q.C.S. system

The Second Phase

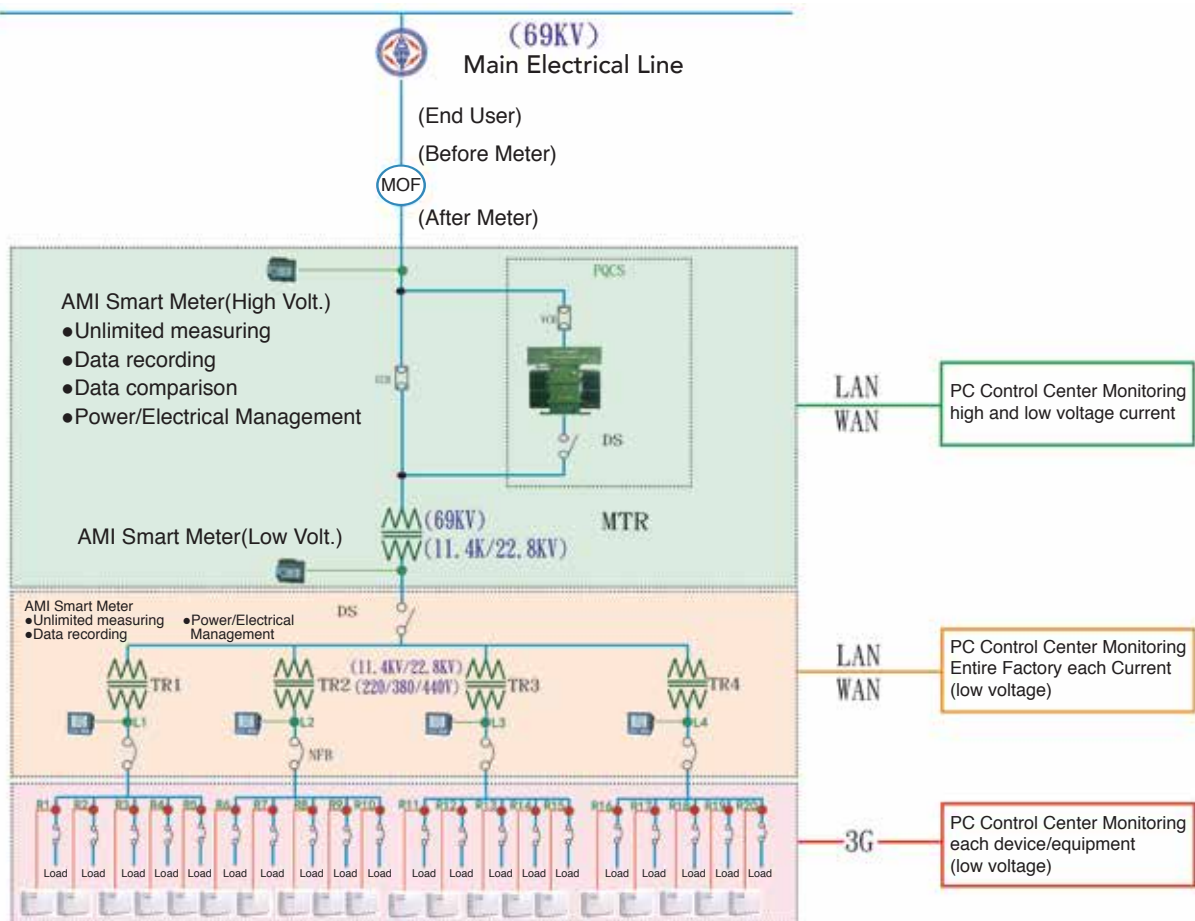
Entire Factory **each circuit** (low voltage) Monitoring

- Monitoring low voltage current data and records (V, I, KW, Var, KVA, Kwh, pf, Hz, and harmonica currents etc.)
- Web-base Monitoring and search (website + software)

The Final Phase

Entire Factory each device/equipment (low voltage) Monitoring

- Monitoring low voltage current data and records (V, I, KW, Var, pf, Hz, and Temp. etc.)
- Web-base Monitoring and search (website + software)
- Send emergency alarm message to mobile phone/computer



SUN-U P.Q.C.S.
ENERGY TECHNOLOGY CO., LTD.



Contact:

Company address : Rm.403, 4F., No.268, Fengping 1st.
Rd., Daliuo Dist.,Kaohsiung City 831, Taiwan (R.O.C.)
Tel : 07-702-6131 Fax : 07-703-7172
Mail : master@sun-u.com.tw